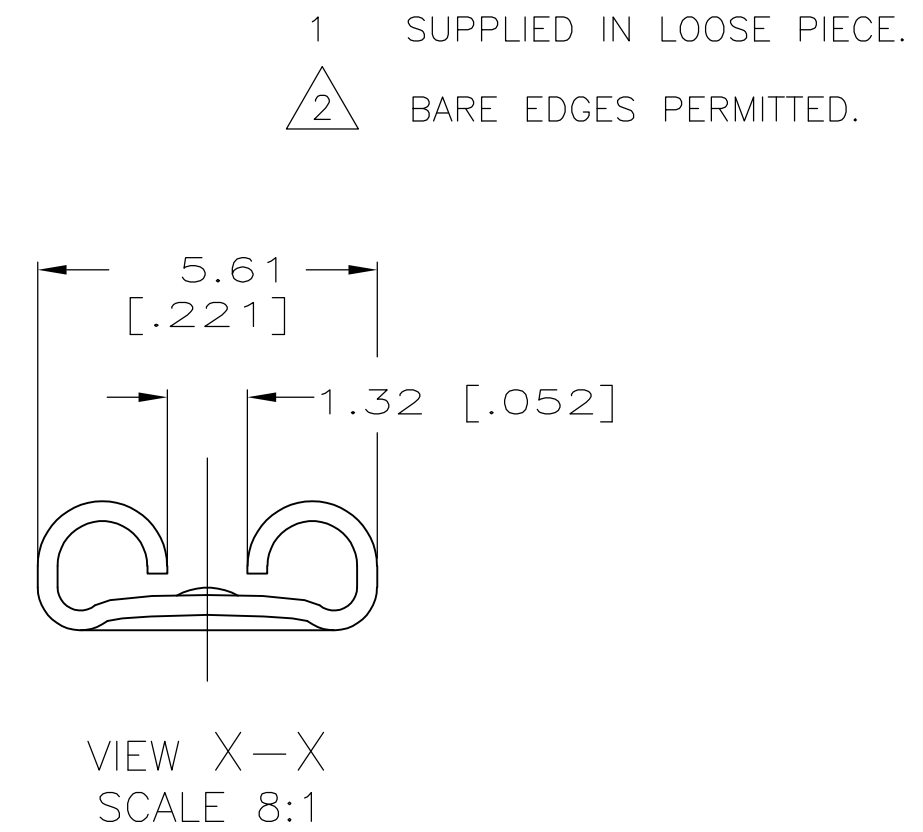
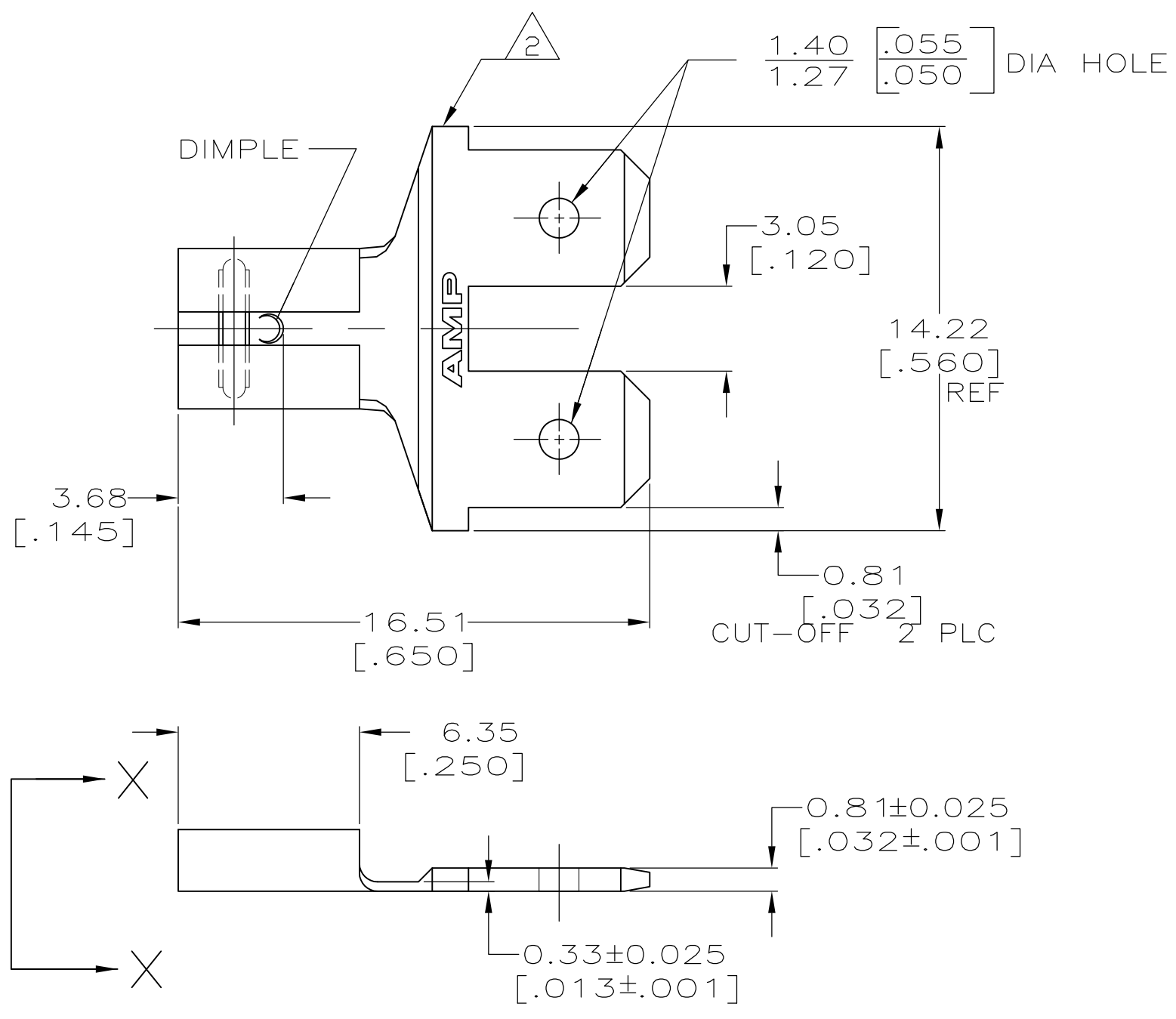


THIS DRAWING IS UNPUBLISHED. RELEASED FOR PUBLICATION
 © COPYRIGHT - By - ALL RIGHTS RESERVED.

LOC		DIST		REVISIONS					
AF		50		P	LTR	DESCRIPTION	DATE	DWN	APVD
				D		REVISED PER ECR-12-013518	23NOV2012	KH	PD



0.81 [.032]	63699-1
MATING TAB THK #0.025 [.001]	PART NUMBER

THIS DRAWING IS A CONTROLLED DOCUMENT.		DWN	JR RUTH	3/9/93	TE Connectivity ADAPTER, FASTON, 4.75 [.187] SERIES
DIMENSIONS: mm [INCHES]		CHK	MS FEHER	3/9/93	
TOLERANCES UNLESS OTHERWISE SPECIFIED:		APVD	P DESANTIS	3/9/93	
0 PLC ± - 1 PLC ± - 2 PLC ± 0.25 [.010] 3 PLC ± - 4 PLC ± - ANGLES ± -		PRODUCT SPEC	-	-	
MATERIAL	BRASS	FINISH	TIN	APPLICATION SPEC	-
		WEIGHT	-	SIZE	A3
		CUSTOMER DRAWING		CAGE CODE	00779
				DRAWING NO	C-63699
				RESTRICTED TO	-
				SCALE	5:1
				SHEET	1 OF 1
				REV	D